

1000 AMP XFT FEED THROUGH BATTERY TERMINAL

Our 1,000 amp XFT Style terminal has performance characteristics identical to our 1,000 amp BFT Style terminal but is specially designed for mounting onto thin or weak panels. The 1,000 amp XFT Style terminal's nickel-plated copper core stays cool at 1,000 amps of continuous current or at short term peaks of 5,000 amps. These terminals are designed for the temperature sensitive environment of lithium battery cells and the charging rates of ultracapacitors and supercapacitors. Equipping your power module with these watertight, single pole, wrench disconnect copper battery terminals will facilitate the incorporation of your modules into cutting edge EV, APU, Fuel Cell and Weapons Systems. Whether you are designing a pressurized battery pack cooled with the Novec family of engineered fluids from 3M* for EV Mobility, Regenerative Braking, Rail Gun or Laser Weapon applications or are simply bringing high currents through a bulkhead of any material or thickness, our XFT Style 1,000 amp terminals, Covers and Accessories were designed with your application in mind. *(3M, Novec and Novec 7200 are trademarks of 3M Company).

XFT SERIES TERMINAL
CAN BE FOUND IN THE
FOLLOWING INDUSTRIES.....

- AGRICULTURAL VEHICLES
- BOAT & PORT OPERATIONS
- ELECTRIC & HYBRID VEHICLES
- EMERGENCY VEHICLES
- ENERGY STORAGE
- MARINE
- POWER GENERATION
- RAIL
- TRUCKS & UTILITY VEHICLES

ELECTRICAL

Current (each of these current profiles causes a maximum 30° temperature rise)

- ▶ Continuous Rated Current (CRC) (per IEC 61984 and UL1977) 1,000 amp
- ▶ Current Profile #2 - 50% CRC for 60min + 1 sec peak + 50% CRC for 60 min 5,000 amp
- ▶ Current Profile #3 - 50% CRC for 60min + 10 sec peak + 50% CRC for 60 min 4,000 amp
- ▶ Current Profile #4 - 50% CRC for 60min + 30 sec peak + 50% CRC for 60 min 2,500 amp
- ▶ Current Profile #5 - 50% CRC for 60min + 60 sec peak + 50% CRC for 60 min 2,000 amp

Voltage

- ▶ Rated Voltage (volts, continuous) 2,000
- ▶ Dielectric Withstanding Voltage 7,000

Contact Resistance Max (Micro Ohms) 70

MECHANICAL

Wire Size Range

- ▶ Maximum Wire Size
 - ▶ Connector Only 750 MCM (380mm²)
 - ▶ With Rubber Boot 4/0 (110mm²)
- ▶ Maximum Cable OD (inches)
 - ▶ Connector Only 2.00
 - ▶ With Flexible Cover 0.80

Minimum Panel Thickness (inches) 0.025

Environmental Sealing

- ▶ With Standard Kit Components IP65
- ▶ With Optional Gasket IP68

Operating Temperature (C°)

- ▶ Connector and Rigid Cover -40° to 125°
- ▶ Flexible Cover -40° to 90°

Flammability Rating (per UL94)

- ▶ Connector 5VA
- ▶ Flexible Cover V-0

Mechanical Shock

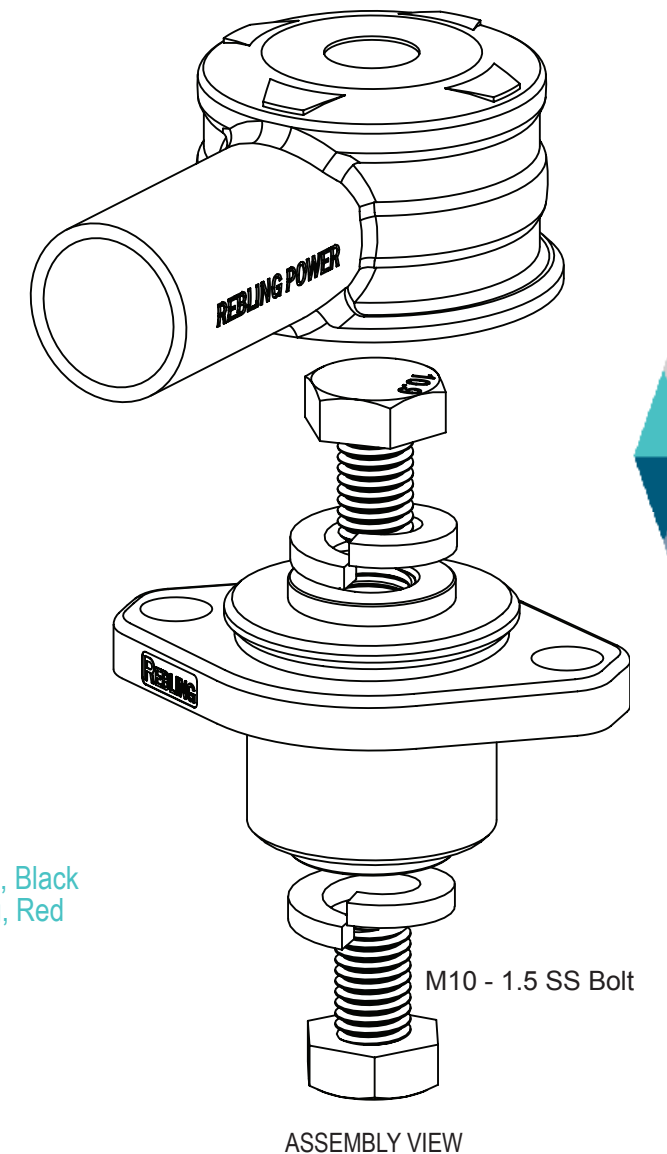
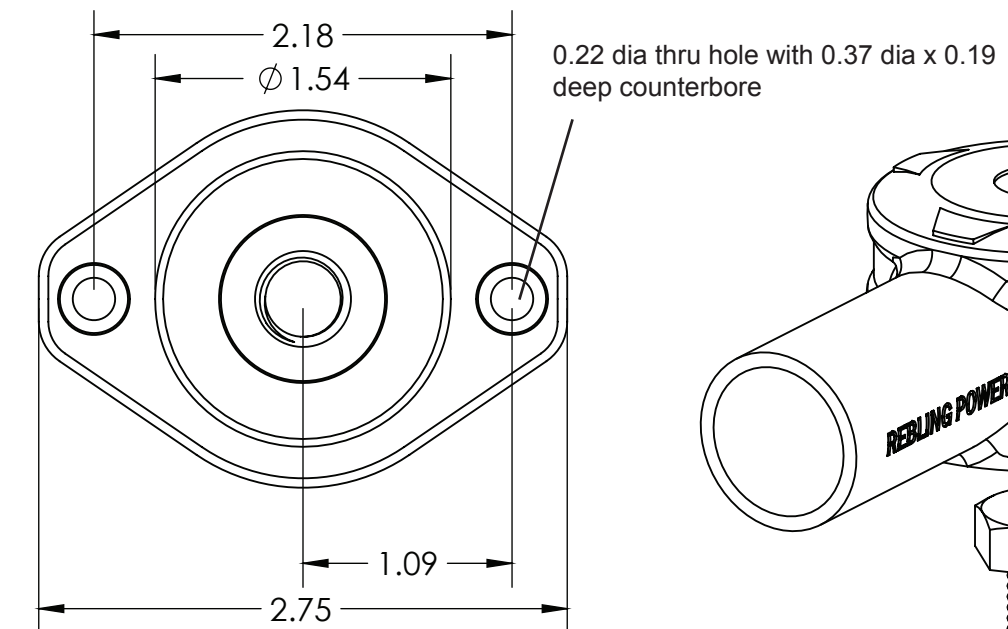
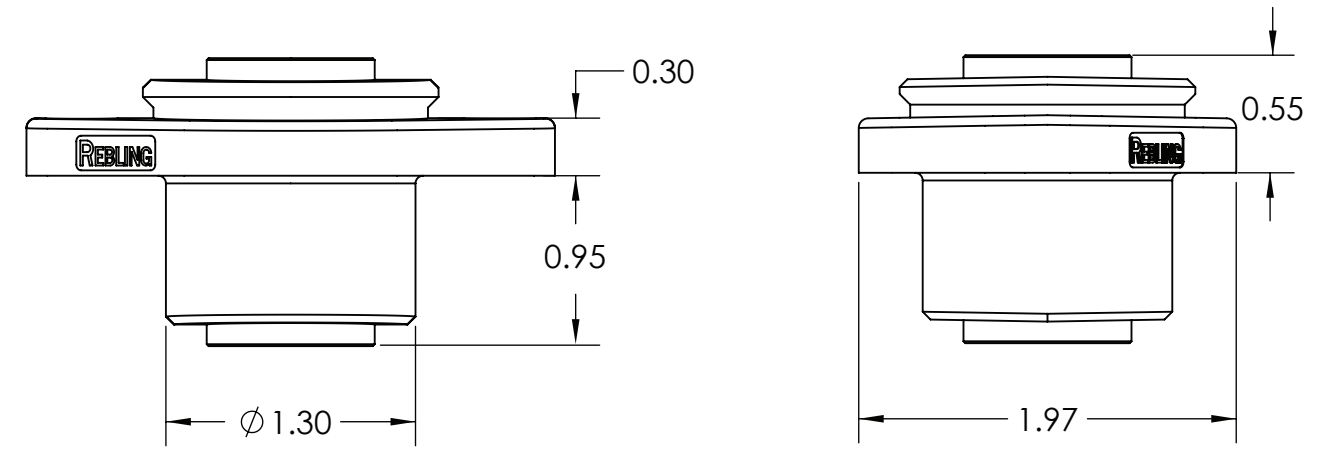
Vibration 50gs - 3 axes
10gs - 3 axes

Torque on Electrical Connections

- ▶ Recommended 60-80 in-lbs

Mounting Hole Pattern

- ▶ Three Circular Holes see Rebling Drawing 719A1829



ORDERING INFORMATION

TERMINALS

- ▶ XFT-N-B Copper, Nickel plated, Black Insulator
- ▶ XFT-N-R Copper, Nickel plated, Red Insulator

ACCESSORIES

- ▶ 720A1817 Gasket, Black
- ▶ 639A1830-B Flexible Cover, .81" diameter cable opening, Black
- ▶ 639A1830-R Flexible Cover, .81" diameter cable opening, Red