

Rebling Datasheet

1,000 AMP XFT-STYLE FEED THROUGH TERMINAL

Our 1,000 amp XFT Style terminal has performance characteristics identical to our 1,000 amp BFT Style terminal but is specially designed for mounting onto thin or weak panels. The 1,000 amp XFT Style terminal's nickel-plated copper core stays cool at 1,000 amps of continuous current or at short term peaks of 5,000 amps. These terminals are designed for the temperature sensitive environment of lithium battery cells and the charging rates of ultracapacitors and supercapacitors. Equipping your power module with these watertight, single pole, wrench disconnect copper terminals will facilitate the incorporation of your modules into cutting edge EV, APU, Fuel Cell and Weapons Systems. Whether you are designing a liquid-cooled, pressurized battery pack for EV Mobility, Regenerative Braking, Rail Gun or Laser Weapon applications or are simply bringing high current through a bulkhead of any material or thickness, our XFT Style 1,000 amp terminals, Covers and Accessories were designed with your application in mind.



ELECTRICAL

Current (each of these current profiles causes a maximum 30°C temperature rise)

- ▶ Continuous Rated Current (CRC) (per IEC 61984 and UL1977)
- ▶ Current Profile #2 - 50% CRC for 60min + 1 sec peak + 50% CRC for 60 min
- ▶ Current Profile #3 - 50% CRC for 60min + 10 sec peak + 50% CRC for 60 min
- ▶ Current Profile #4 - 50% CRC for 60min + 30 sec peak + 50% CRC for 60 min
- ▶ Current Profile #5 - 50% CRC for 60min + 60 sec peak + 50% CRC for 60 min

Voltage

- ▶ Rated Voltage (volts, continuous)
- ▶ Minimum Dielectric Withstanding Voltage (volts, AC or DC)

Contact Resistance Max (Micro Ohms)

1,000 amp
5,000 amp
4,000 amp
2,500 amp
2,000 amp

2,000
5,000
70

MECHANICAL

Wire Size Range

- ▶ Maximum Wire Size
 - ▶ Terminal Only
 - ▶ With Flexible Cover
- ▶ Maximum Cable OD (inches)
 - ▶ Terminal Only
 - ▶ With Flexible Cover

Minimum Panel Thickness (inches)

Environmental Sealing

- ▶ With Standard Kit Components
- ▶ With Optional Gasket

Operating Temperature (C°)

- ▶ Terminal and Rigid Cover
- ▶ Flexible Cover

Flammability Rating (per UL94)

- ▶ Terminal
- ▶ Flexible Cover

Mechanical Shock
Vibration

750 MCM (380mm²)
4/0 (110mm²)

2.00
0.80
0.025

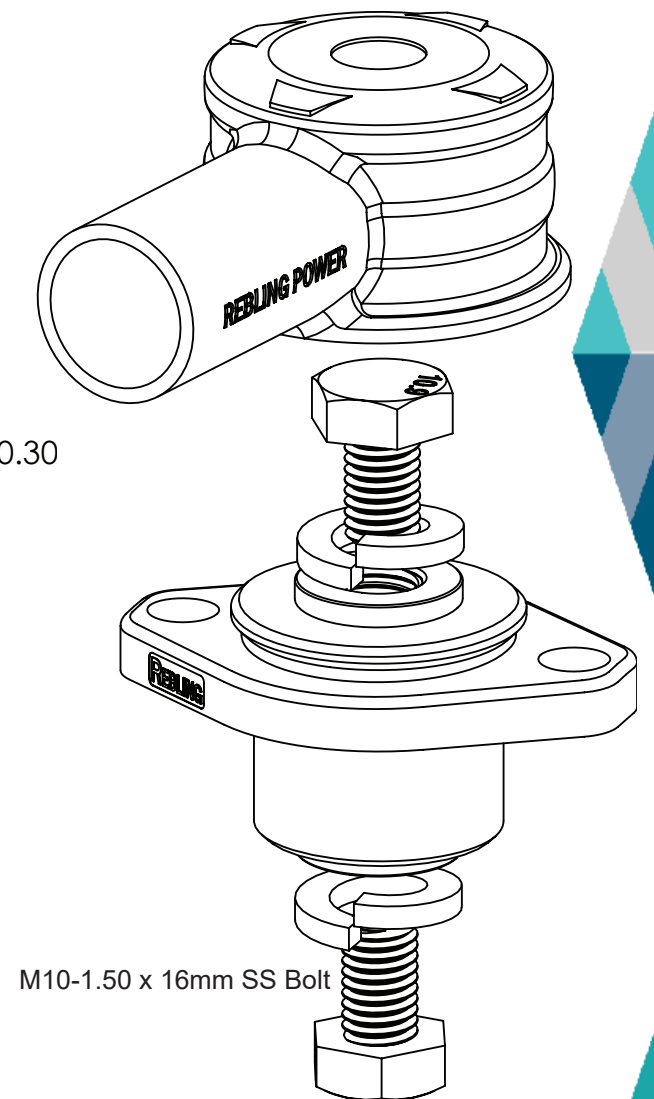
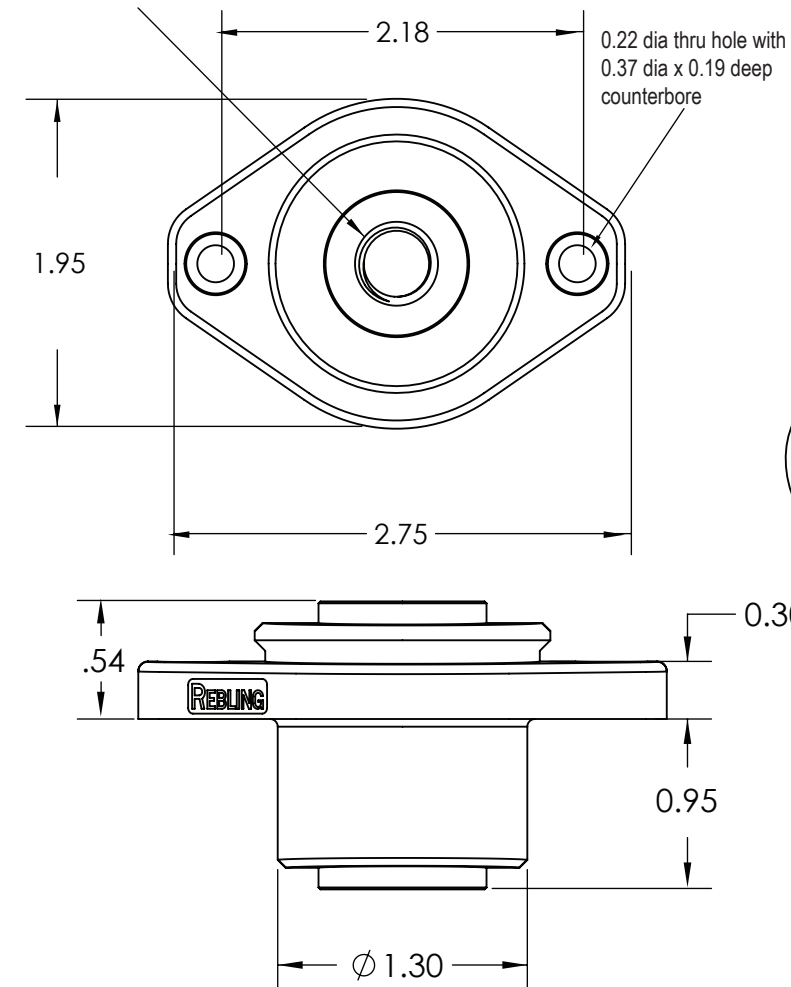
IP65
IP68

-40° to 125°
-40° to 90°

V-0
V-0

50gs - 3 axes
10gs - 3 axes

0.88 diameter copper conductor with two M10 tapped blind holes



CERTIFICATIONS

UL and CE Conformance
RoHS Compliance

Certificates are downloadable from Rebling.com
All parts itemized on this datasheet are RoHS compliant

Rebling Datasheet 1,000 AMP XFT-STYLE FEED THROUGH TERMINAL



P/N	Description*	Plastic Color	Weight (Grams)	Min Thick (mm)	UL 94 Rating	Plastic Material #
XFT-N-B	Terminal, Copper, Nickel plated	Black	195	2.5	V-0	000A1824
XFT-N-R	Terminal, Copper, Nickel plated	Red	195	2.5	V-0	000A1824
639A1830-B	Flexible Cover (0.82" ID)	Black	25	2.0	V-0	000A1825
639A1830-R	Flexible Cover (0.82" ID)	Red	25	2.0	V-0	000A1825
720A1817	Gasket for XFT Terminal	Black	4	2.0	V-0	000A1834

*Terminal includes two 10mm bolts and two 10mm split washers



XFT Product Family

MOUNTING and ASSEMBLY

Minimum Panel Thickness (inches)

Mounting Hole Pattern (see diagram)

Recommended Torque on Electrical Connection bolts

Recommended Torque on flat-bottomed panel mounting screws

Application Recommendations

▶ When using 4/0 cable with flexible cover, crimp lug to cable then push into cover using lubricant

▶ Panel Mount Hardware for IP68 (McMaster Carr)

▶ 92855A516

▶ 91828A241

▶ 9452K16

M5 stainless socket head screw

M5 stainless nut

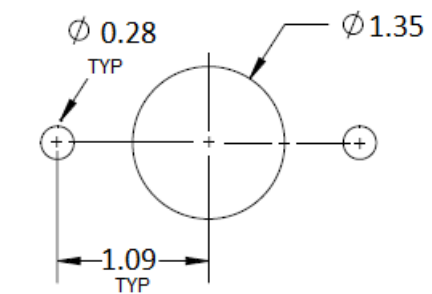
M5 O-Ring

0.025

Three Circular Holes

60 to 80 in-lbs

5 to 8 in-lbs



MOUNTING HOLE PATTERN (inches)