

Rebling Datasheet: Avionics Receptacle Style 2

The members of Rebling's family of avionics bulkhead-mounted receptacle connectors conform to and are QPL'd to Mil Specs MS25182, MS3509, Mil-PRF-18148, Mil-E-18148 and Mil-E-81099 and are available under Rebling's Cage Code 30525. The receptacles highlighted on this datasheet are those which are of the Style 2 variety. Receptacles with Style 1 different profiles and different rear termination options can be found on other datasheets.

Electrical (per MIL PRF 18148)

Current

Rated Current	-----	750 amps
Peak Current		1,500 amps

Voltage & Resistance

Rated Voltage (DC)		750 volts
Dielectric Withstanding Voltage (DC)	-----	2,500 volts
Contact Resistance (maximum)		60 micro-ohms

Mechanical (per MIL PRF 18148)

Flammability Rating		UL94 HB	
Environmental Sealing	with standard Kit Components	-----	IP56
	with Optional Gasket		IP68
Operating Temperature	-----	-85 to +71 C°	
Mechanical Shock		20 Gs – 3 axes	
Vibration		10 Gs – 3 axes	
Mating Cycles (no electrical load)		1,500 cycles	
Maximum Wire Size:	-----	3/0 (80 mm²)	
Maximum Terminal Lug Tongue Width		0.76" (19.3 mm)Maximum	
Terminal Lug Web Width		0.22" (5.6 mm)	
Recommended Torque on Electrical Connection Nuts	-----	30 - 40 in-lbs (3.4 - 4.5 Nm)	

Compliance

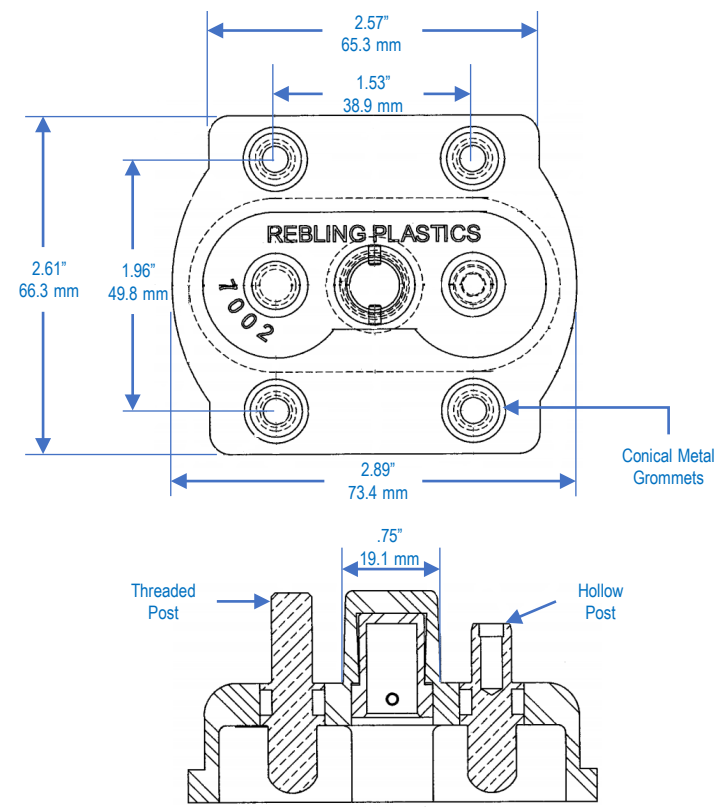
RoHS, REACH, CMRT/3TG All parts listed on this datasheet are RoHS, REACH and CMRT/3TG Compliant

Mounting and Assembly

Recommended Torque on the 5/16 electrical connection nuts	30-40 in-lbs (3.4-4.5 Nm)
Torque on the 5/16 electrical connection nuts that causes material failure	80 in-lbs (9 Nm)

Application Notes

1. When attaching large cables to the rear threaded posts, use Burndy narrow tongue crimp lugs
2. #8 or M4 flathead 82 degree screws are recommended for mounting the connector to the panel
3. EMI Shielded Receptacles - see the datasheet for Rebling's EMI Receptacle P/N 7009-51



For complete dimensions, download 3D Step files of Receptacle and Accessories at Rebling.com



P/N	Description	Plastic Color	Weight (Grams)
7002-4	Receptacle, Style 2 with rear Hollow Posts + Drive pins, Blue	Blue	113
7002-8	Receptacle, Style 2, Rear Threaded Posts, Blue	Blue	122
7002-6G	Receptacle, Style 2 with rear Threaded Posts, Green	Green	122
7002-10	Receptacle, Style 2, Rear Threaded Posts, Black	Black	122

*Receptacle Kit = one Receptacle + two Nuts + two Split Washers, all parts in a small poly bag

