

Rebling Datasheet: Avionics Receptacle Style 1 with High Temperature Capability



The members of Rebling's family of avionics bulkhead-mounted receptacle connectors conform to and are QPL'd to Mil Specs MS25182, MS3509, Mil-PRF-18148, Mil-E-18148 and Mil-E-81099 and are available under Rebling's Cage Code 30525. The receptacles highlighted on this datasheet are those which have high temperature capability as the termination configuration at the rear of the receptacle. Receptacles with different profiles and different rear termination options can be found on other datasheets.

Electrical (per MIL PRF 18148)

Current

Rated Current	-----	750 amps
Peak Current		1,500 amps

Voltage & Resistance

Rated Voltage (DC)		750 volts
Dielectric Withstanding Voltage (DC)	-----	2,500 volts
Contact Resistance (maximum)		60 micro-ohms

Mechanical (per MIL PRF 18148)

Flammability Rating		UL94 HB	
Environmental Sealing	with standard Kit Components	-----	IP56
	with Optional Gasket		IP68
Operating Temperature	-----	-85 to +71 C°	
Mechanical Shock		20 Gs – 3 axes	
Vibration		10 Gs – 3 axes	
Mating Cycles (no electrical load)		1,500 cycles	
Maximum Wire Size:	-----	4/0 (110 mm ²)	
Maximum Terminal Lug Tongue Width		0.76" (19.3 mm) Maximum	
Terminal Lug Web Width		0.22" (5.6 mm)	
Recommended Torque on Electrical Connection Nuts	-----	30 - 40 in-lbs (3.4 - 4.5 Nm)	

Compliance

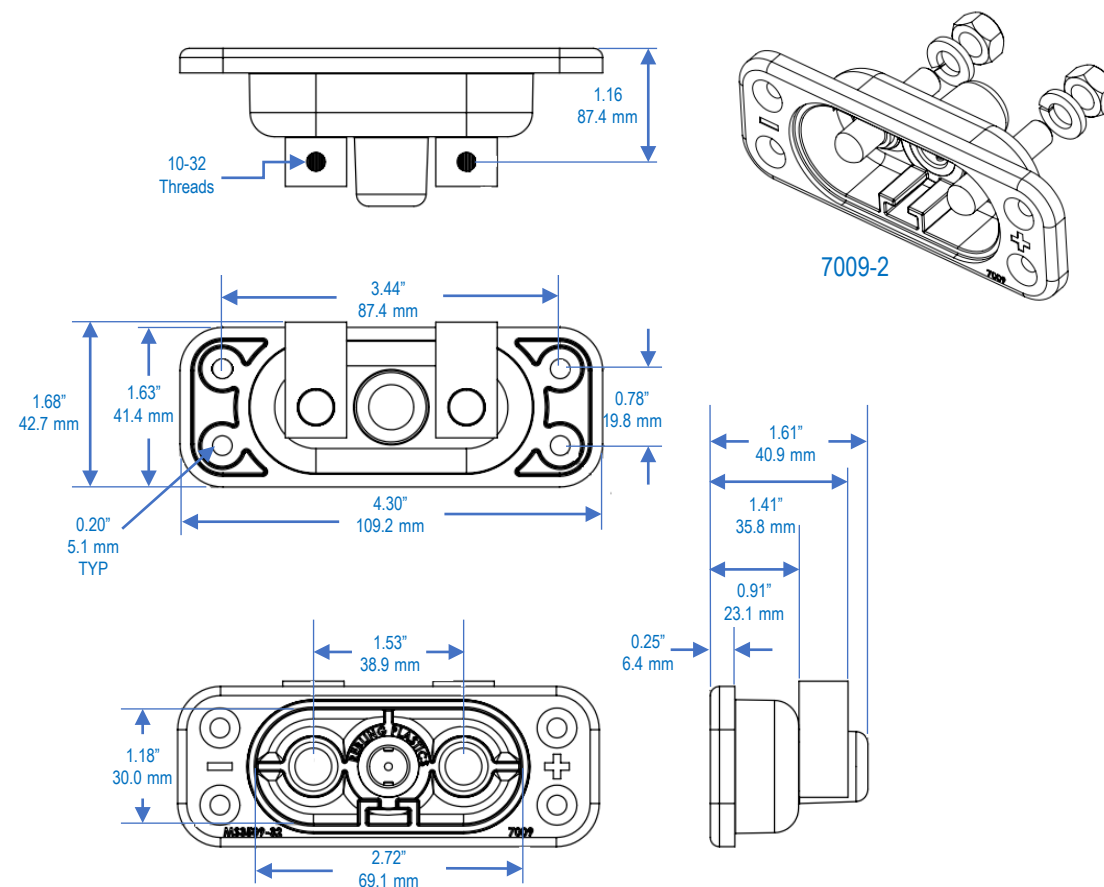
RoHS, REACH, CMRT/3TG All parts listed on this datasheet are RoHS, REACH and CMRT/3TG Compliant

Mounting and Assembly

Recommended Torque on the 5/16 electrical connection nuts	30-40 in-lbs (3.4-4.5 Nm)
Torque on the 5/16 electrical connection nuts that causes material failure	80 in-lbs (9 Nm)

Application Notes

1. When attaching large cables to the rear threaded posts, use Burndy narrow tongue crimp lugs
2. #8 or M4 flathead 82 degree screws are recommended for mounting the connector to the panel
3. EMI Shielded Receptacles - see the datasheet for Rebling's EMI Receptacle P/N 7009-51

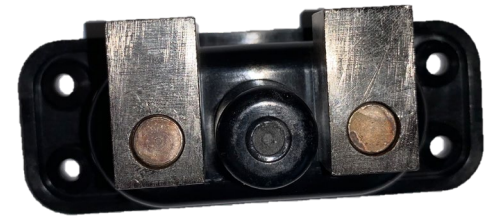
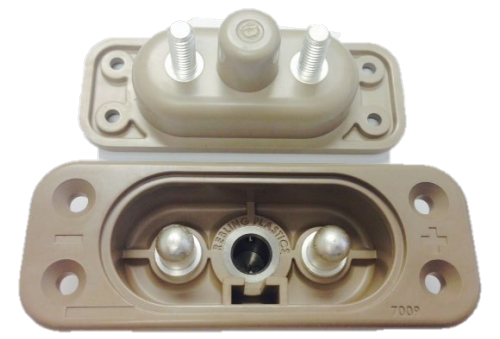


For complete dimensions, download 3D Step files of Receptacle and Accessories at Rebling.com



P/N	Description	Plastic Color	Weight (Grams)
7009-2	Receptacle Kit, High Temp, with rear right angle -101 Adapters, Black	Black	182
7009-3	Receptacle Kit, High Temp, with rear Threaded Posts, Black	Black	92
7009-7	Receptacle Kit, High Temp, with rear Threaded Posts, Brown	Brown	92
7002-37	Receptacle with no Contacts, Gray	Gray	84

*Receptacle Kit = one Receptacle + two Nuts + two Split Washers
Gaskets and Protective Backshells can be found on the Avionics Receptacle Accessories Datasheet



Mounting Hole Pattern

