

# Rebling Datasheet: 7007 Avionics 4-Wire Cable-Mounted Plug

All of our two pole, avionics-grade, quick disconnect, cable-mounted plugs are designed to mate with our avionics-grade, bulkhead-mounted receptacles. The quick disconnect feature enables an operator, even with double-gloved hands, to rotate the handle clockwise to engage the connector and lock it in place then to rotate the handle counter-clockwise to disengage the electrical contacts and unlock the connector. Polarity markings on the outside and inside of the connector are clearly visible and the mechanical polarizing design prevents it from being mis-mated. All fastening and mechanical hardware components are composed of stainless steel. Our 7007 is a two pole, four cable, avionics-grade, quick disconnect, cable-mounted plug and is designed to mate with our avionics-grade, bulkhead-mounted receptacles. The 7007 has four side access cable openings for connecting two positive and two negative cables. It can also be used when only two cables are attached.



## Electrical (per MIL PRF 18148)

**Current**

Rated Current -----	750 amps
Peak Current -----	1,500 amps

**Voltage & Resistance**

Rated Voltage (DC) -----	750 volts
Dielectric Withstanding Voltage (DC) -----	2,500 volts
Contact Resistance (maximum) -----	60 micro-ohms

## Mechanical (per MIL PRF 18148)

Flammability Rating -----	UL94 V-0
Environmental Sealing with standard kit components -----	IP13
Operating Temperature -----	-85 to +71 C°
Mechanical Shock -----	20 Gs – 3 axes
Vibration -----	10 Gs – 3 axes
Mating Cycles (no electrical load) -----	5,000 cycles
Maximum Wire Size -----	4/0 (110 mm <sup>2</sup> )
Maximum Cable Outside Diameter -----	0.76" (19.3 mm)
Maximum Crimp Lug Tongue Width -----	1.06" (26.9 mm)
Maximum Crimp Lug Web Width -----	0.35" (8.9 mm)
Recommended Torque on Electrical Connection Nuts -----	40 - 50 in-lbs (4.5 - 5.6 Nm)

## Compliance

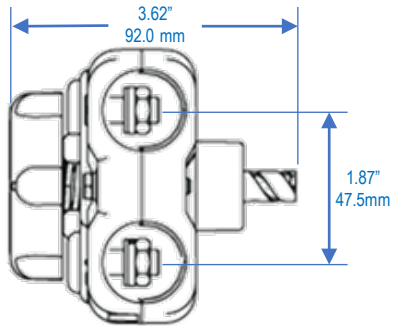
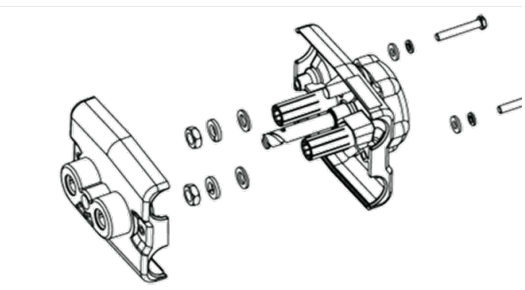
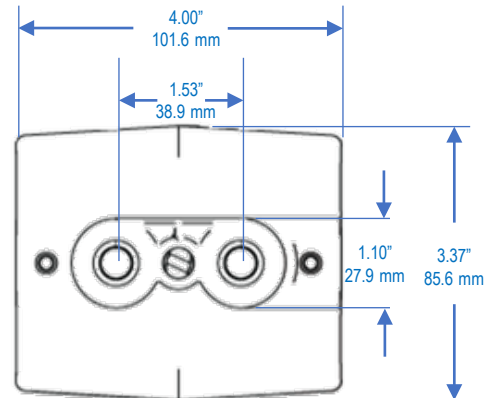
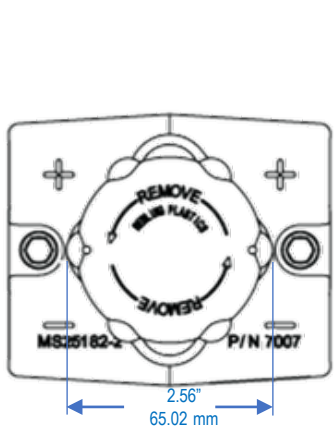
RoHS, REACH, CMRT/3TG All parts listed on this datasheet are RoHS, REACH and CMRT/3TG Compliant

## Assembly

Recommended Torque on the 5/16 electrical connection nuts -----	40 - 50 in-lbs (4.5 - 5.6 Nm)
Recommended Torque on the 10-32 backshell bolts -----	6 - 8 in-lbs (0.7 - 0.9 Nm)

## Application Notes

1. When attaching large cables to the threaded posts, use Burndy narrow tongue crimp lugs



For complete dimensions, download 3D Step files of Receptacle and Accessories at [Rebling.com](http://Rebling.com)



P/N	Description	Plastic Color	Weight (Grams)	Handle Type
7007	Cable-mounted Avionics Plug, 2 wire, T-Handle	Black	469	Round
7007-3	Cable-mounted Avionics Plug, 2 wire, Round Handle	Black	472	Tee
653A1659-0	Grommet/ Rubber Plug for 7007 Connector cable entrance ID = 0.000	Black	3	N/A

